



30+ years
pump manufacturer

Company name: ZHENGZHOU SHENLONG PUMP CO., LTD

Created by:

Phone:

Date: 17/02/2022

DATA SHEET FOR SUBMERSIBLE CENTRIFUGAL PUMPS

Type: WQ100-60-9 3KW 5HP 60M³/H 9M Head Submersible Sewage Pump

2022.02.17

**DATA SHEET FOR SUBMERSIBLE
CENTRIFUGAL PUMPS**

Company name: ZHENGZHOU SHENLONG PUMP CO., LTD

Created by:

Phone:

Date: 17/02/2022

Description	Value
General information:	
Product name:	sewage water pump
Site:	Laos
Product No:	WQ100-60-9

Description	Value
Motor efficiency at full load:	76.00%
Motor efficiency at 3/4 load:	70.00%
Motor efficiency at 1/2 load:	64.00%

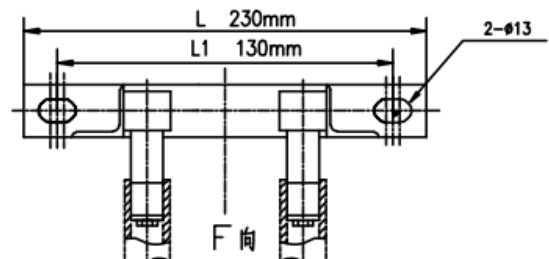
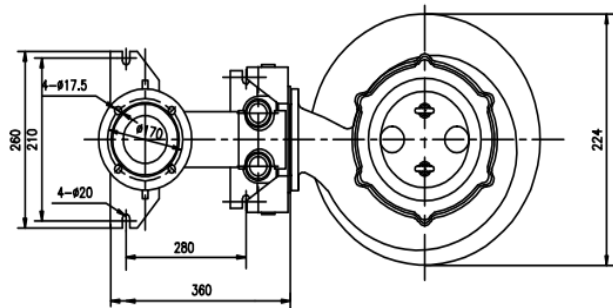
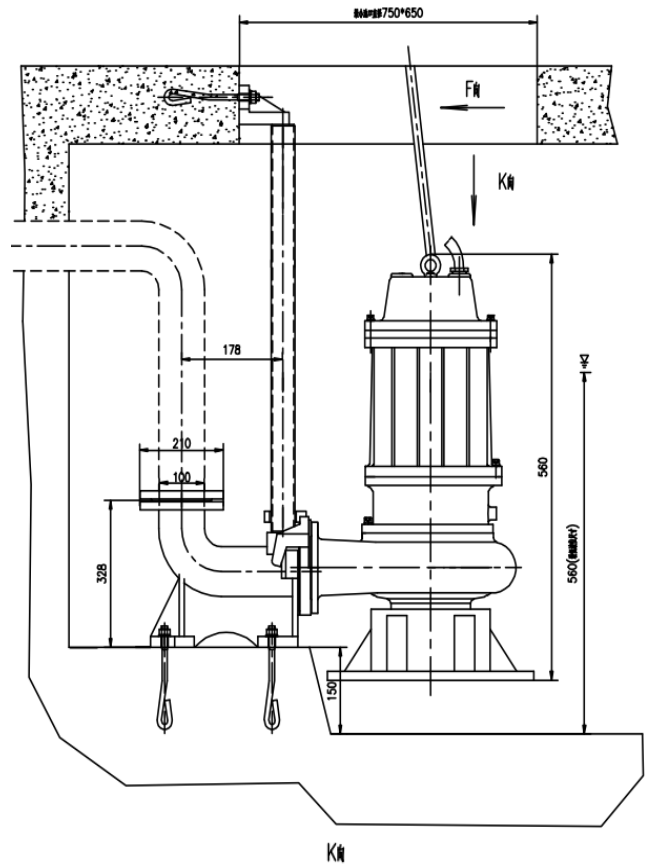
Technical:	
Rated flow:	60m ³ /hr
Rated head:	9m
Main power supply:	380v,50hz,3phase
Type of impeller:	CLOSED
Impellor stages:	single
shaft seal:	Mechanical seal
Curve tolerance:	ISO9906:2012 3B
Cooling Type:	OIL COOLING

Main Materials:	
Pump housing:	cast iron
Impeller:	cast iron
shaft:	45# steel
Bearing	cast iron
Motor:	cast iron

Installation:	
Location:	Outdoor
Flange standard:	GB
Pump inlet:	FILTER
Discharge diameter:	DN 100mm
Pressure stage:	PN 10
Maximum submerged depth:	20 m
Inst dry/wet:	SUBMERGED
Installation:	VERTICAL

Liquid:	
Pumped liquid:	sewage water
Maximum liquid temperature:	40°C
Liquid temp:	38°C
Relative density:	1.157
viscosity:	3-6pas
corrosive:	no
Solid content:	≤3%

Electrical data:	
Number of poles:	2
Rated power :	3kW
Mains frequency:	50 Hz
Rated voltage:	380 V
Rated speed:	2900 rpm
Insulation class	F
IP class:	IP68
Voltage tolerance:	=10/-10%
Start. method:	soft start
Max starts per. hour:	20
Rated current:	8.06A
Cos phi - power factor:	0.78
Cos phi - p.f. at 3/4 load:	0.75
Cos phi - p.f. at 1/2 load:	0.61





30+ years
pump manufacturer

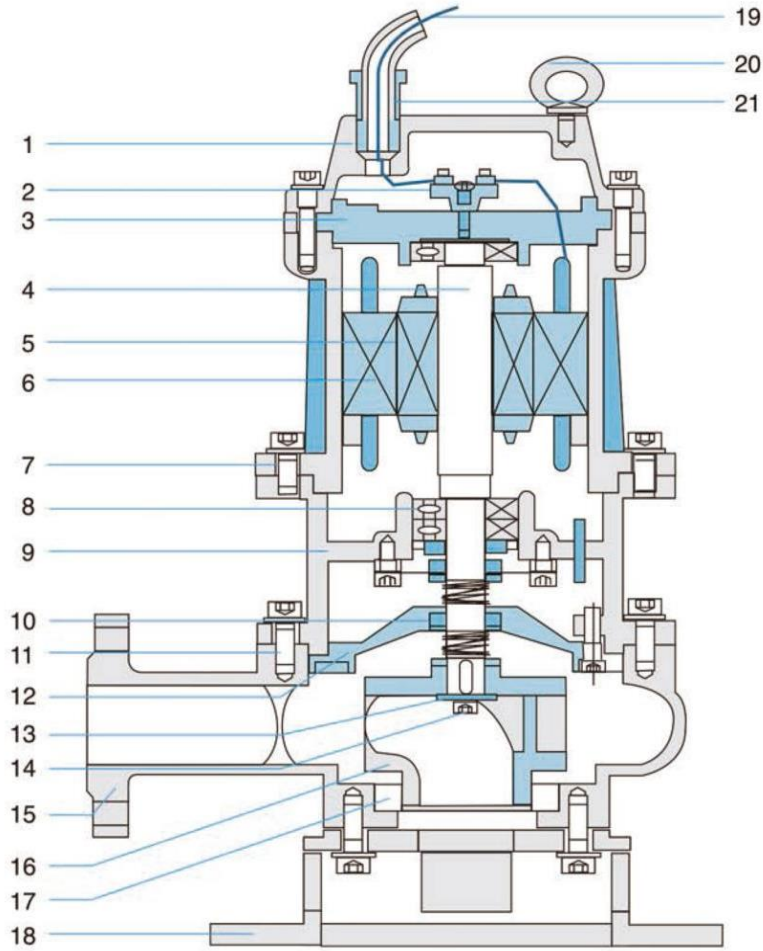
Company name: ZHENGZHOU SHENLONG PUMP CO., LTD

**DATA SHEET FOR SUBMERSIBLE
CENTRIFUGAL PUMPS**

Created by: _____

Phone: _____

Date: 15/05/2018



- | | | | |
|----------|------------|---------|----------|
| 1. 上盖 | 2. 接线柱 | 3. 上轴承座 | 4. 转子 |
| 5. 转子铁芯 | 6. 定子部件 | 7. 螺栓 | 8. 轴承 |
| 9. 油室 | 10. 机械密封 | 11. 螺栓 | 12. 油室盖 |
| 13. 垫片 | 14. 轴头锁紧螺母 | 15. 涡壳 | 16. 叶轮 |
| 17. 骨架油封 | 18. 进水节 | 19. 电缆 | 20. 吊环螺钉 |
| 21. 电缆护套 | | | |

- | | | | |
|-----------------------------|-----------------------------|-----------------------|-----------------------|
| 1. upper cover | 2. connecting plate | 3. upper bearing base | 4. rotor shaft |
| 5. rotor iron core | 6. stator component | 7. bolt | 8. bearing |
| 9. oil chamber | 10. mechanical sealing | 11. bolt | 12. oil chamber cover |
| 13. mat piece | 14. shaft end fastening nut | 15. vortex shell | 16. impeller |
| 17. framework oil sealing | 18. water inlet joint | 19. cable | 20. sling screw |
| 21. cable protection sleeve | | | |

**DATA SHEET FOR SUBMERSIBLE
CENTRIFUGAL PUMPS**

Created by: _____
Phone: _____
Date: 17/02/2022

