



30+ years  
pump manufacturer

Company name: ZHENGZHOU SHENLONG PUMP CO., LTD

Created by:

Phone:

Date: 16/02/2022

## DATA SHEET FOR SUBMERSIBLE CENTRIFUGAL PUMPS

Type: 7.5KW 10HP 30M<sup>3</sup>/H 40M Head Submersible Sewage Pump

2022.02.16

## DATA SHEET FOR SUBMERSIBLE CENTRIFUGAL PUMPS

Description	Value
<b>General information:</b>	
Product name:	sewage water pump
Site:	Thailand
Product No:	WQ65-30-40

<b>Technical:</b>	
Rated flow:	30m <sup>3</sup> /hr
Rated head:	40m
Main power supply:	380v,50hz,3phase
Type of impeller:	CLOSED
Impellor stages:	single
shaft seal:	Mechanical seal
Curve tolerance:	ISO9906:2012 3B
Cooling Type:	OIL COOLING

<b>Main Materials:</b>	
Pump housing:	cast iron
Impeller:	cast iron
shaft:	45# steel
Bearing	cast iron
Motor:	cast iron

<b>Installation:</b>	
Location:	Outdoor
Flange standard:	GB
Pump inlet:	FILTER
Discharge diameter:	DN 65mm
Pressure stage:	PN 10
Maximum submerged depth:	20 m
Inst dry/wet:	SUBMERGED
Installation:	VERTICAL

<b>Liquid:</b>	
Pumped liquid:	sewage water
Maximum liquid temperature:	40°C
Liquid temp:	38°C
Relative density:	1.157
viscosity:	3-6pas
corrosive:	no
Solid content:	≤3%

<b>Electrical data:</b>	
Number of poles:	2
Rated power :	7.5kW
Mains frequency:	50 Hz
Rated voltage:	380 V
Rated speed:	2900 rpm
Insulation class	F
IP class:	IP68
Voltage tolerance:	=10/-10%
Start. method:	soft start
Max starts per. hour:	20
Rated current:	18A
Cos phi - power factor:	0.85
Cos phi - p.f. at 3/4 load:	0.75
Cos phi - p.f. at 1/2 load:	0.61

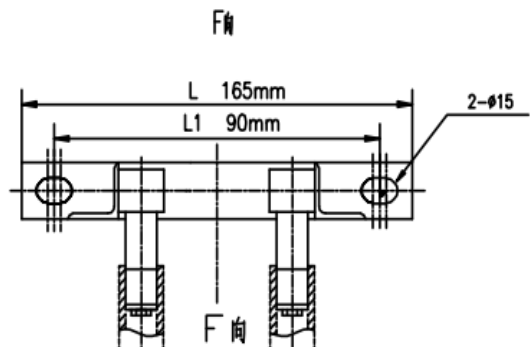
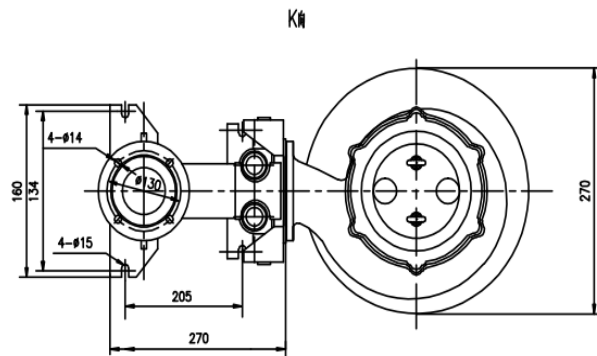
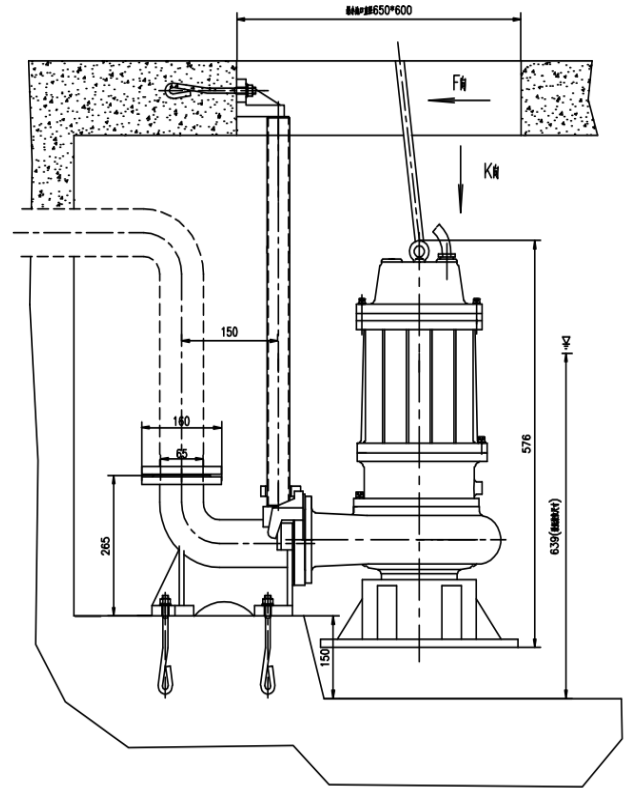
Company name: ZHENGZHOU SHENLONG PUMP CO., LTD

Created by:

Phone:

Date: 16/02/2022

Description	Value
Motor efficiency at full load:	76.00%
Motor efficiency at 3/4 load:	70.00%
Motor efficiency at 1/2 load:	64.00%





30+ years  
pump manufacturer



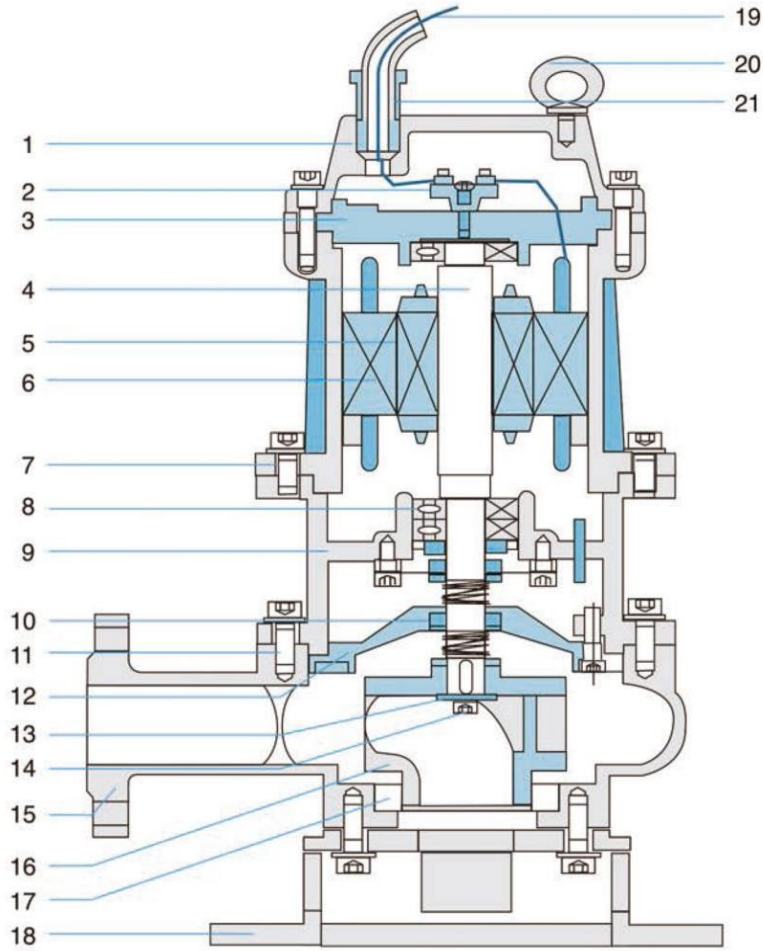
Company name: ZHENGZHOU SHENLONG PUMP CO., LTD

**DATA SHEET FOR SUBMERSIBLE  
CENTRIFUGAL PUMPS**

Created by: \_\_\_\_\_

Phone: \_\_\_\_\_

Date: 16/02/2022



- |                             |                             |                       |                       |
|-----------------------------|-----------------------------|-----------------------|-----------------------|
| 1. 上盖                       | 2. 接线柱                      | 3. 上轴承座               | 4. 转子                 |
| 5. 转子铁芯                     | 6. 定子部件                     | 7. 螺栓                 | 8. 轴承                 |
| 9. 油室                       | 10. 机械密封                    | 11. 螺栓                | 12. 油室盖               |
| 13. 垫片                      | 14. 轴头锁紧螺母                  | 15. 涡壳                | 16. 叶轮                |
| 17. 骨架油封                    | 18. 进水节                     | 19. 电缆                | 20. 吊环螺钉              |
| 21. 电缆护套                    |                             |                       |                       |
| 1. upper cover              | 2. connecting plate         | 3. upper bearing base | 4. rotor shaft        |
| 5. rotor iron core          | 6. stator component         | 7. bolt               | 8. bearing            |
| 9. oil chamber              | 10. mechanical sealing      | 11. bolt              | 12. oil chamber cover |
| 13. mat piece               | 14. shaft end fastening nut | 15. vortex shell      | 16. impeller          |
| 17. framework oil sealing   | 18. water inlet joint       | 19. cable             | 20. sling screw       |
| 21. cable protection sleeve |                             |                       |                       |

**DATA SHEET FOR SUBMERSIBLE  
CENTRIFUGAL PUMPS**

Created by: \_\_\_\_\_  
Phone: \_\_\_\_\_  
Date: 16/02/2022

