

Company name: ZHENGZHOU SHENLONG PUMP CO., LTD

Created by: \_\_\_\_\_

Phone: \_\_\_\_\_

Date: 07/05/2018

## DATA SHEET FOR SUBMERSIBLE CENTRIFUGAL PUMPS

Type:500SLLC2100-9

2018.5.7

## DATA SHEET FOR SUBMERSIBLE CENTRIFUGAL PUMPS

Description	Value
<b>General information:</b>	
Product name:	Vertical turbine pump
Site:	500SLLC-2100-9
Product No:	
<b>Technical:</b>	
Rated flow:	2100m <sup>3</sup> /hr
Rated head:	9m
Main power supply:	400v,50hz,3phase
Type of impeller:	CLOSED
Impellor staaes:	1
Curve tolerance:	ISO9906:2012 3B
Pump efficiency:	76%
Pump length:	6.5m
<b>Main Materials:</b>	
Impeller:	Bronze
shaft:	40Cr
Suction bell:	Cast iron HT250
wear ring:	Stainless steel
Pump bowl:	Cast iron HT250
Guide bearing housing:	Cast iron HT250
Motor support:	Carbon steel Q235-8
Discharge elbow:	Carbon steel Q235-8
Column pipe:	Carbon steel Q235-8
Guide bearing:	PTFE
sealing type:	Packing seal
<b>Installation:</b>	
Location:	Outdoor
Flange standard:	GB
Pump inlet:	FILTER
Pump outlet:	DN500mm
Pressure stage:	PN10
Inst dry/wet:	SUBMERGED
Installation:	VERTICAL
<b>Liquid:</b>	
Pumped liquid:	clean
Maximum liquid temperature:	40°C
Liquid temp:	38°C
Relative density:	1.025
PH value:	6-8
corrosive:	NO

Company name: ZHENGZHOU SHENLONG PUMP CO., LTD

Created by:

Phone:

Date: 07/05/2018

Description	Value
Sand content:	≤50g/m <sup>3</sup>

**Electrical data:**

Number of poles: 4

Rated power : 90 kW

Mains frequency: 50 Hz

Rated voltage: 400 V

Rated speed: 1480 rpm

Insulation class F

IP class: IP23

Installation: Vertically

Voltage tolerance: =10/-10%

Start. method: soft starter

Max starts per. hour: 20

Rated current: 183.8A

Rated efficiency : 95%

Cos phi - power factor: 0.89

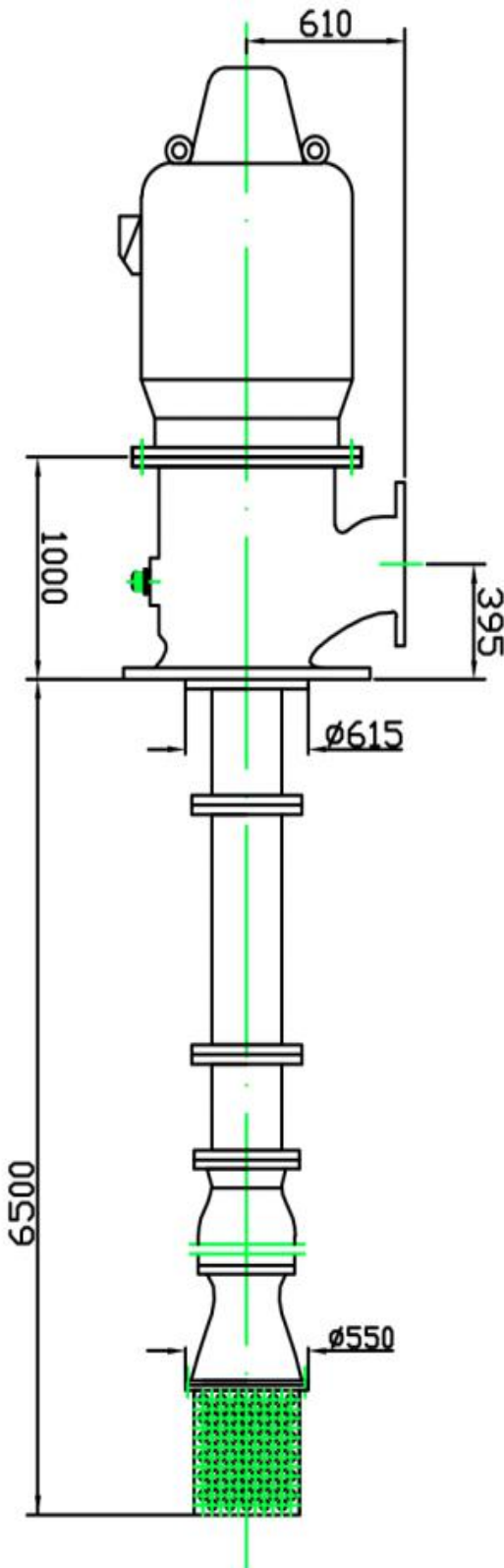
Shaft type: Hollow shaft

**DATA SHEET FOR SUBMERSIBLE  
CENTRIFUGAL PUMPS**

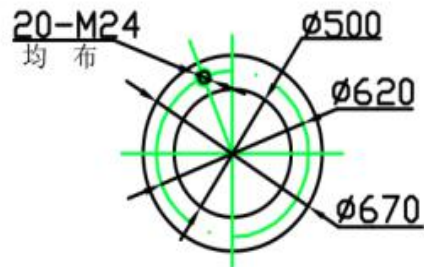
Created by: \_\_\_\_\_

Phone: \_\_\_\_\_

Date: 07/05/2018

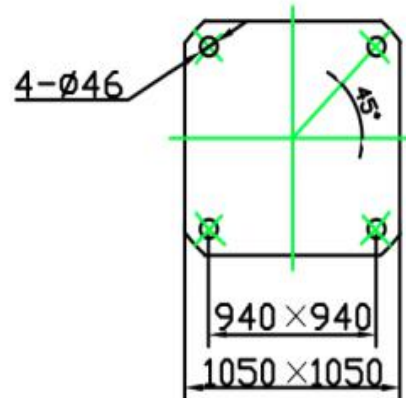


K 向放大



K

Base plate size





30+ years  
pump manufacturer

Company name: ZHENGZHOU SHENLONG PUMP CO., LTD

Created by:

Phone:

Date: 07/05/2018

### DATA SHEET FOR SUBMERSIBLE CENTRIFUGAL PUMPS

